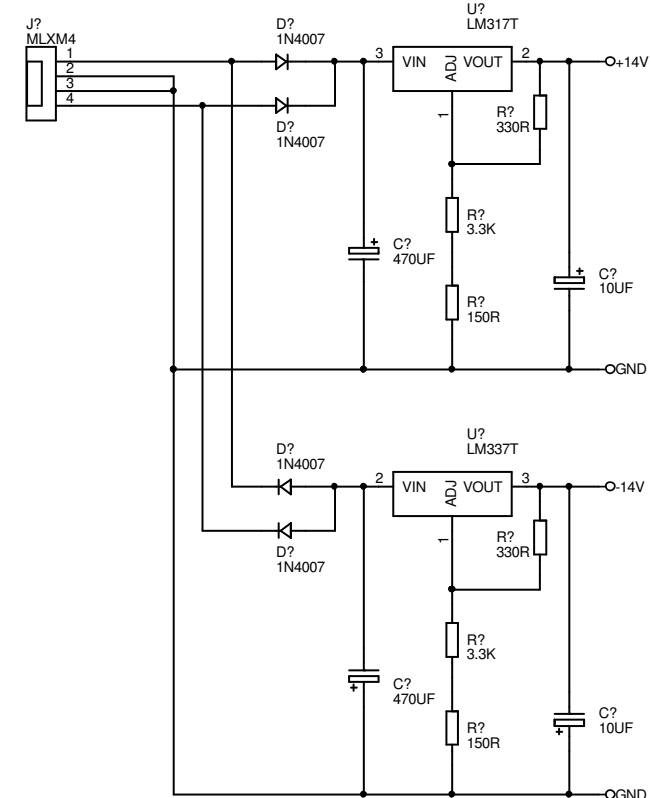
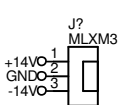


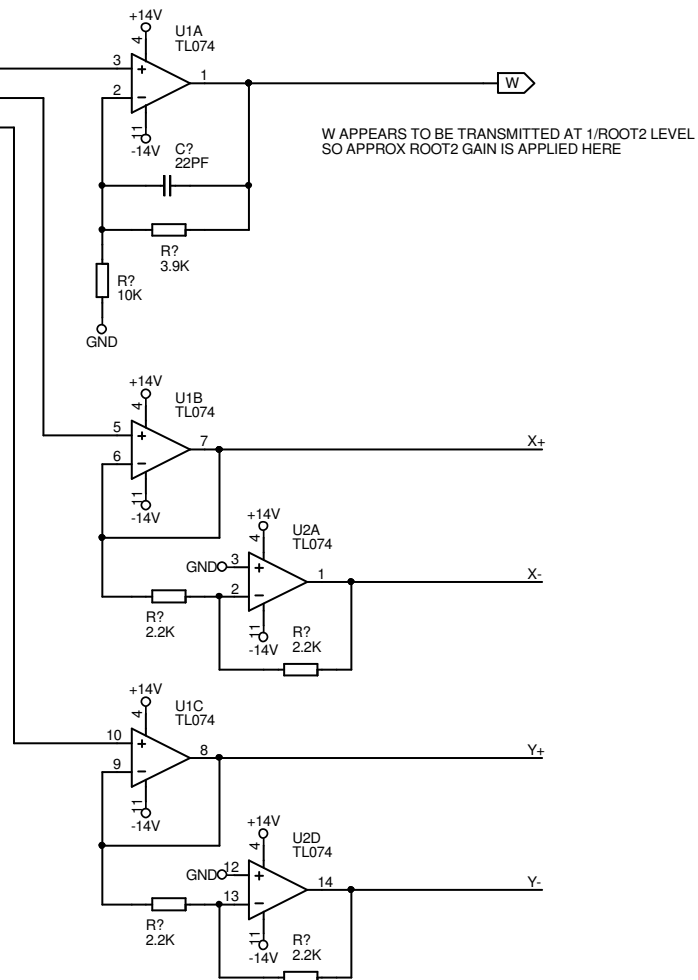
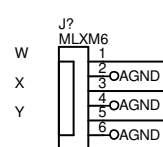
TO 0-12 0-12 30VA TRANSFORMER



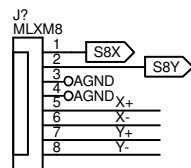
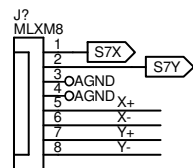
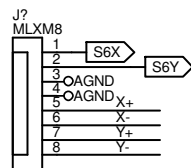
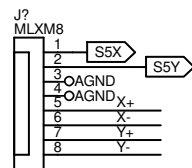
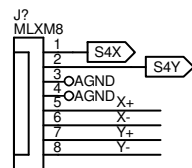
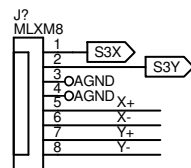
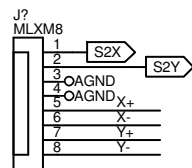
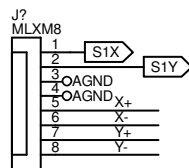
POWER TO UHJ DECODER



B FORMAT INPUT



W APPEARS TO BE TRANSMITTED AT 1/ROOT2 LEVEL SO APPROX ROOT2 GAIN IS APPLIED HERE



&proj: amb01-02.sch, amb01-03.sch

DESIGN: amb01	NAME: AMBISONIC DECODER 1
FILE: AMB01-F01.SCH	TITLE: PSU; B INPUT; POTS
CREATED: 22/04/99	MOD: 10/01/2004
SHEET: 1 OF 3	REV: 1.0 SIZE: A3
ICARUS 07748 766447	