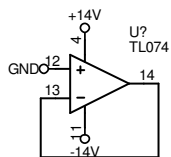
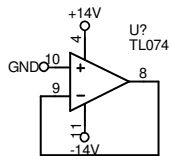
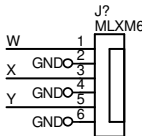
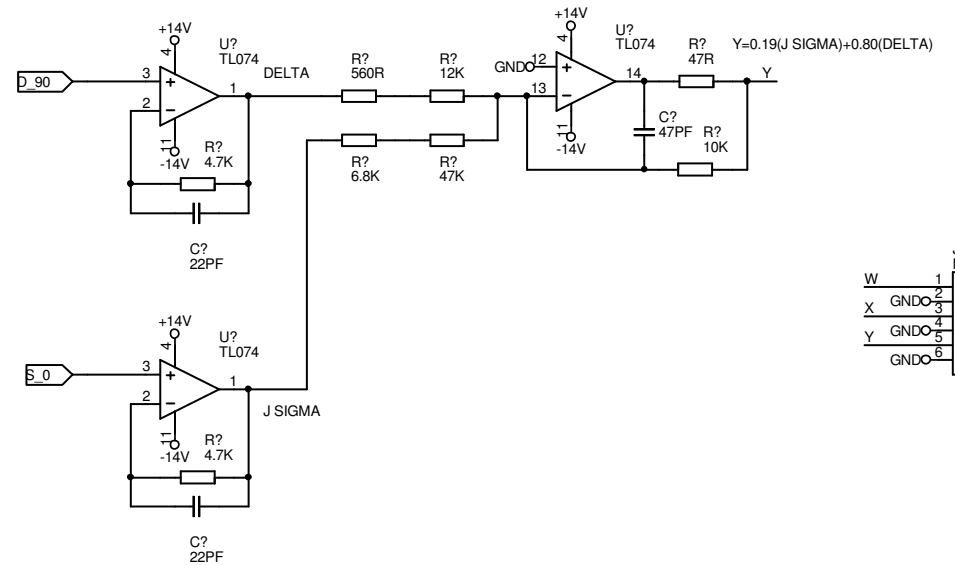
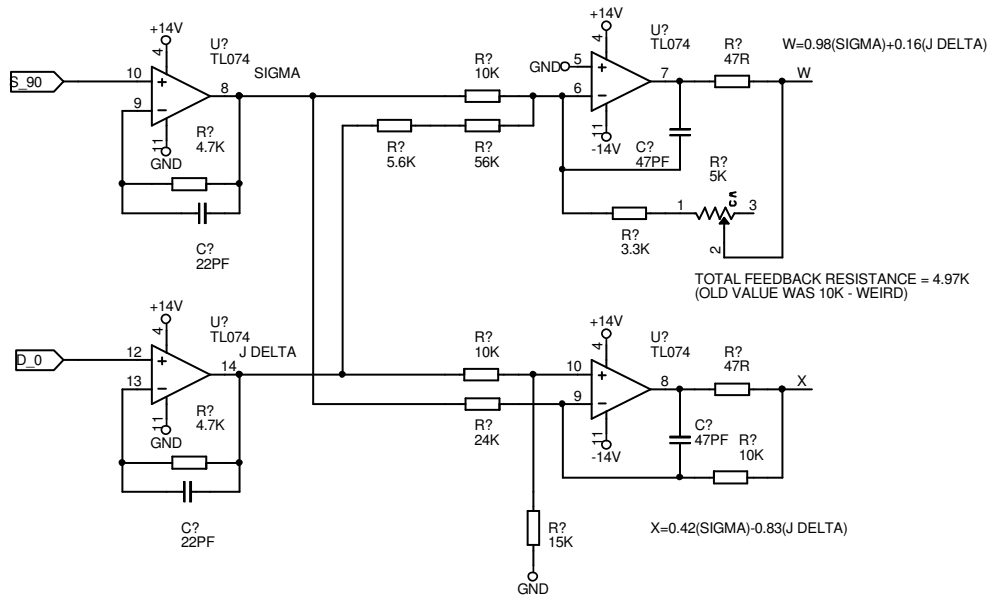


NOTE THAT ADDITION HERE IS ACTUALLY INVERTING
AND SUBTRACTION IS NON-INVERTING



SUB WOOFER GAIN CONTROL

10K LOG POT

J2 MLXM3

J2 MLXM4

- 1 - BOTH WIPERS
- 2 - ACW END POT A
- 3 - ACW END POT B
- 4 - GND

DUAL LOG(?) 470K POT
CUT-OFF FREQUENCY
LPF VARIABLE 30 TO 200 HZ

LPFed W OUTPUT FOR SUB-WOOFER

