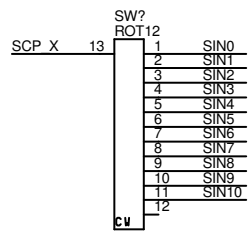
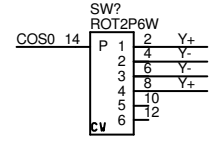
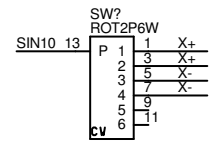
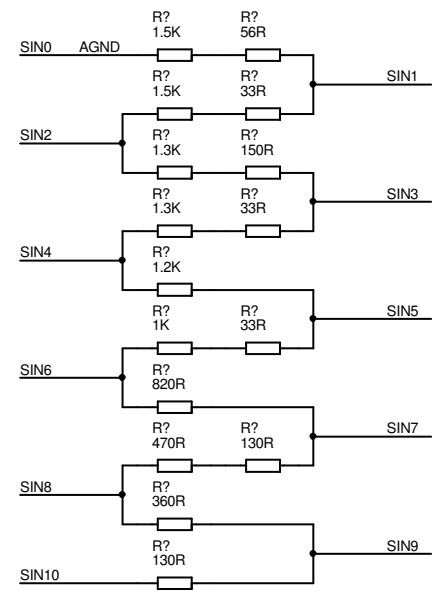
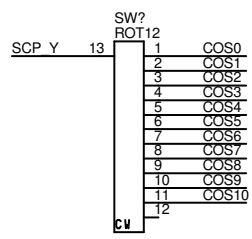


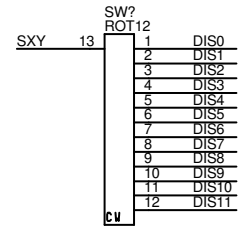
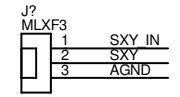
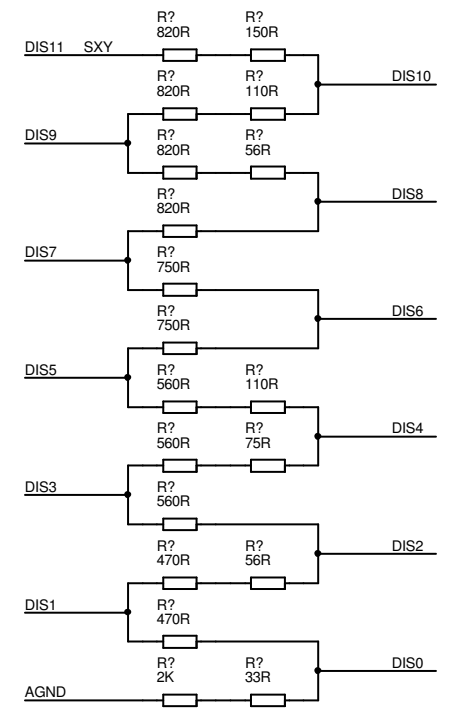
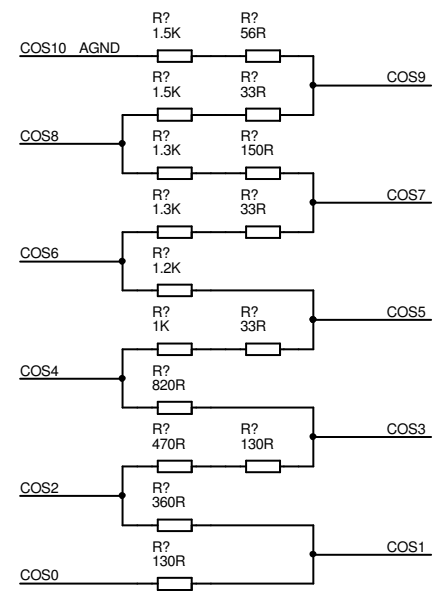
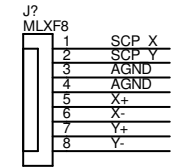
A
B
C
D
E
F
G
H



ANGLE SELECTOR
DUAL GANG 12-WAY ROTARY SWITCH



SECTOR SELECTOR
1 = NW SECTOR
2 = SW SECTOR
3 = SE SECTOR
4 = NE SECTOR



DISTANCE SELECTOR

- DIS11 = 1.0
- DIS10 = 0.95
- DIS9 = 0.9
- DIS8 = 0.85
- DIS7 = 0.8
- DIS6 = 0.75
- DIS5 = 0.7
- DIS4 = 0.65
- DIS3 = 0.6
- DIS2 = 0.55
- DIS1 = 0.5
- DIS0 = 0.45