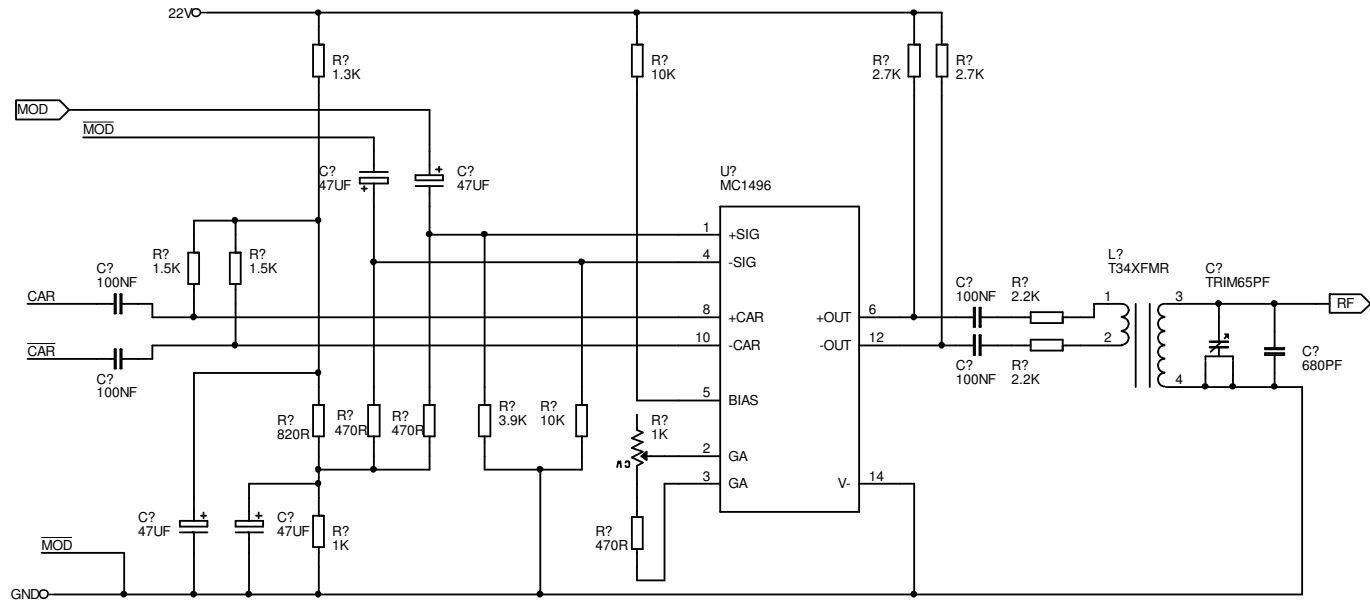


0 0 0 0 1 0 0 1 0 0 0 1 0 0 0 0 1602 KHZ VALUES
 0 1 0 0 1 0 0 0 1 1 1 0 0 0 0 0 1287 KHZ VALUES

R2 IS 4.7K FOR 1602, 6.8K FOR 1287



74HC4059 DIVIDE BY N SETTINGS FOR 1602KHZ WITH 9KHZ REFERENCE FREQUENCY
 KA, KB, KC ALL HIGH; SET FOR DIVIDE BY TWO MODE
 16 TO J13 SET FOR NO HUNDREDS
 J12 TO J9 SET FOR 8 TENS
 J8 TO J5 SET FOR 9 UNITS
 J4 TO J2 SET FOR NO THOUSANDS
 J1 SET LOW FOR NO REMAINDER
 RESULTANT RATIO IS DIVIDE BY 178 FOR 1602KHZ
 1602KHZ TXFMR IS AMIDON T-44-2 (RED) WITH 8 TURNS PRIMARY AND 48 TURNS SECONDARY

74HC4059 DIVIDE BY N SETTINGS FOR 1287KHZ WITH 9KHZ REFERENCE FREQUENCY
 KA, KB, KC ALL HIGH; SET FOR DIVIDE BY TWO MODE
 16 TO J13 SET FOR NO HUNDREDS
 J12 TO J9 SET FOR 7 TENS
 J8 TO J5 SET FOR 1 UNITS
 J4 TO J2 SET FOR NO THOUSANDS
 J1 SET HIGH FOR 1 REMAINDER
 RESULTANT RATIO IS DIVIDE BY 143 FOR 1287KHZ
 1287KHZ TXFMR IS AMIDON T-37-1 (BLUE) WITH 8 TURNS PRIMARY AND 50 TURNS SECONDARY

DESIGNMOD01	NAME: RADIO GLEN MODULATOR
FILE: Mgd01-01 sch	TITLE: SYNTH MIXER AND FILTER
CREATED: 08/12/97	MOD: 30/11/02
SHEET: 1 OF 6	REV: 1.0
ICARUS 07748 766447	