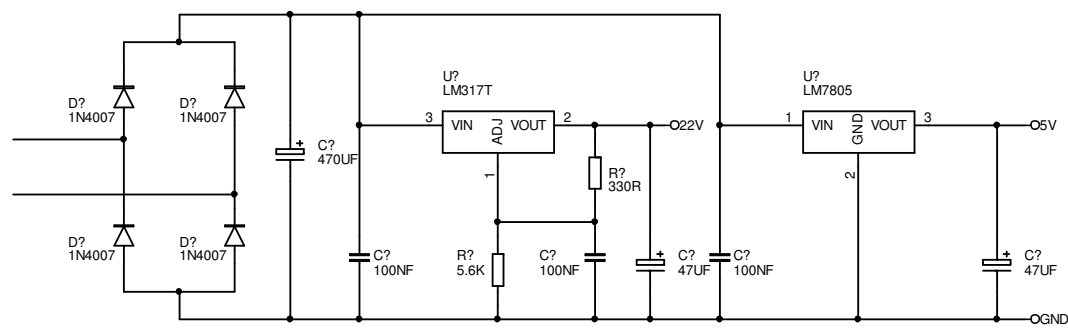


PLACE COMPONENTS MARKED "" IN CRYSTAL OSCILLATOR OVEN
PLACE THERMISTOR NEXT TO CRYSTAL



DESIGN: MOD01	NAME: RADIO GLEN MODULATOR
FILE: Mg01-02.sch	TITLE: PSU OUTPUT, OVEN CONTROL
CREATED: 08/12/97	MOD: 30/11/02
SHEET: 2 OF 6	REV: 1.0 SIZE: B
ICARUS 07748 766447	