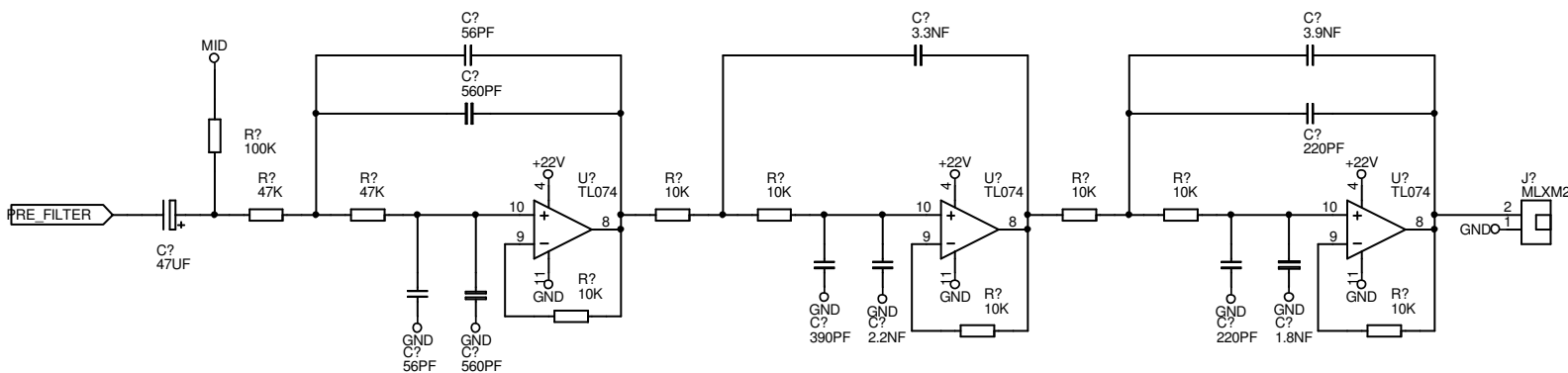
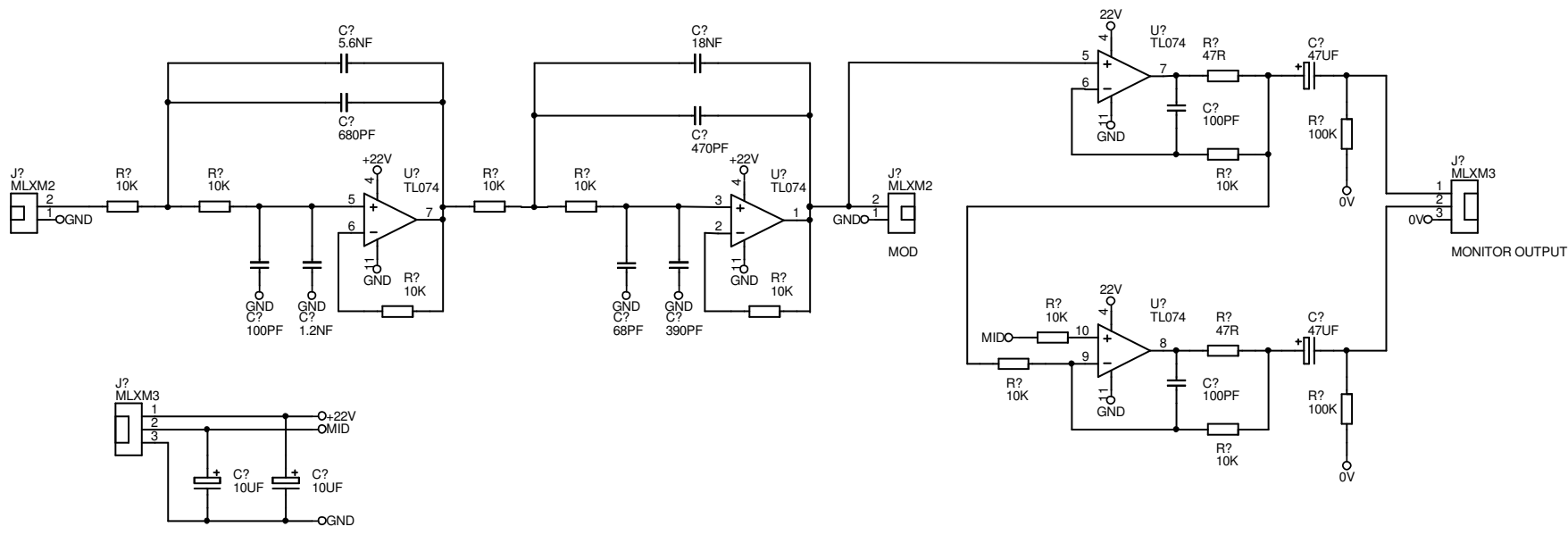


BOX CONTENTS ARE A RETROFIT BOARD
WHICH SITS PRECARIOUSLY ATOP THE COMPRESSOR BOARD



10 POLE BUTTERWORTH GIVES APPROX 43DB ATTENUATION
AT 9KHZ. (-3DB POINT IS 5.5KHZ.)
40DB ATTENUATION AT 9KHZ IS NEEDED TO PASS TYPE APPROVAL

SECTION 1 ANGLE = 9 DEGREES, Q=0.51
SECTION 2 ANGLE = 27 DEGREES Q=0.56
SECTION 3 ANGLE = 45 DEGREES Q=0.71
SECTION 4 ANGLE = 63 DEGREES, Q=1.10
SECTION 5 ANGLE = 81 DEGREES, Q=3.20

SEE LOG BOOK VOLUME 8 MONDAY 22ND MAY, AND 22 JUN 2000 FOR DETAILS

DESIGN: MOD01	NAME: RADIO GLEN MODULATOR
FILE: Mod01-06.sch	TITLE: LOW PASS FILTER
CREATED: 08/12/97	MOD: 30/11/02
SHEET: 6 OF 6	REV: 2.0
SIZE: A3	
ICARUS 07748 766447	