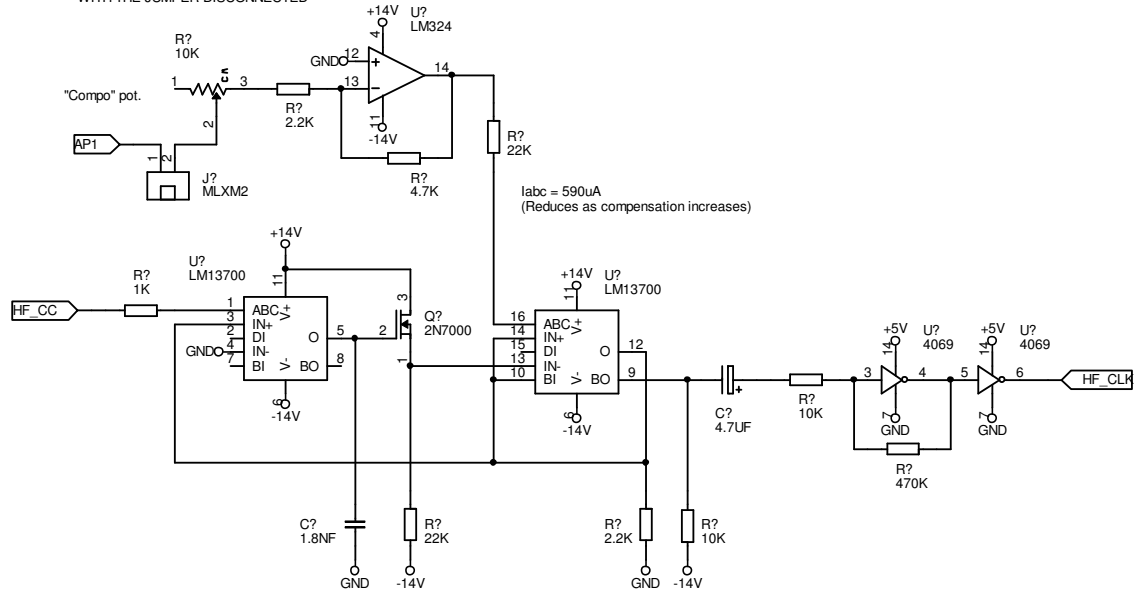
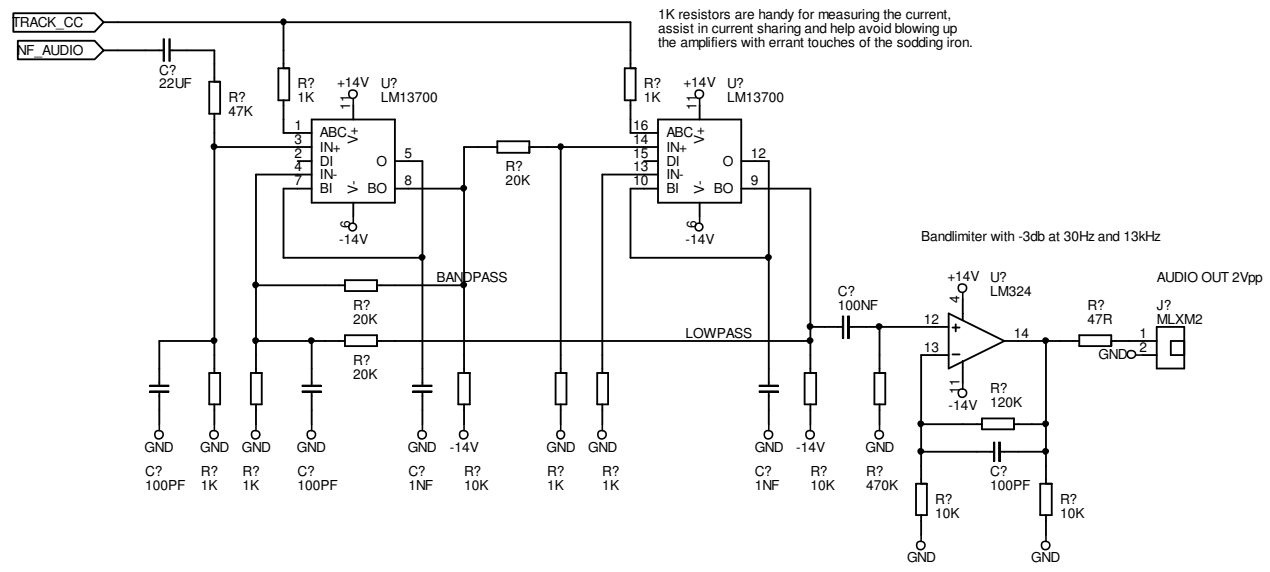


VCO LINEARITY DROP-OFF COMPENSATOR
 ADJUST FOR TOP NOTE CORRECT
 AFTER EXPONENTIAL ADJUSTMENT
 AND SETTING FOR A110 AT 2V IN
 WITH THE JUMPER DISCONNECTED



Iabc = 590uA
 (Reduces as compensation increases)



1K resistors are handy for measuring the current,
 assist in current sharing and help avoid blowing up
 the amplifiers with errant touches of the soldering iron.

Bandlimiter with -3db at 30Hz and 13kHz

DESIGNWAV01	NAME: waveform synthesiser
FILE: wavetorm02-03.sch	TITLE: HF VCO AND TRACKING FILTER
CREATED: 23/09/02	MOD: 28/11/02
SHEET: 1 OF 1	REV: 1.0
ICARUS 07748 766447	