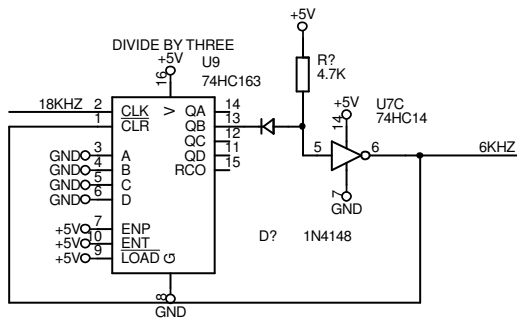
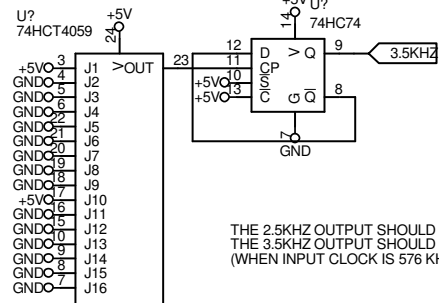
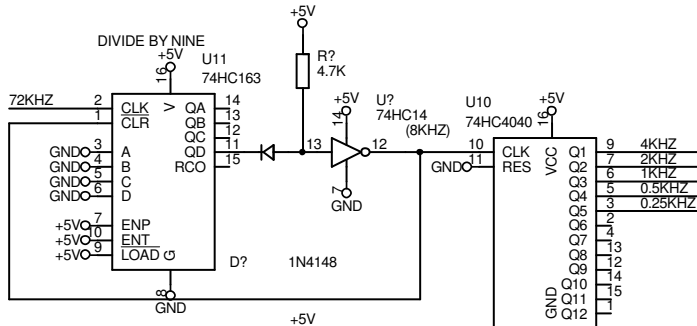


OUTPUTS TO MASS FILTER BOARD

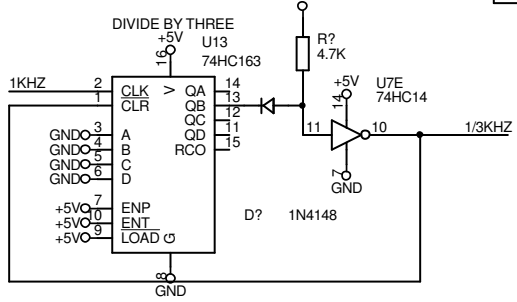


J16 0 X 100 5 X 10 7 X 1 0 X 1000 REM 0 0 0 0 0 1 0 1 0 1 1 1

J1 SET TO DIVIDE BY 115 MODE = DIVIDE BY TWO PRESET = 57 REM = 1

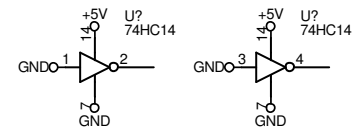


THE 2.5KHZ OUTPUT SHOULD BE 2.504...KHZ (0.1% ERROR)  
THE 3.5KHZ OUTPUT SHOULD BE 3.512...KHZ (0.3% ERROR)  
(WHEN INPUT CLOCK IS 576 KHZ)



J16 0 X 100 2 X 10 0 X 1 0 X 1000 REM 0 0 0 0 0 1 0 1 0 0 0 0

J1 SET TO DIVIDE BY 41 MODE = DIVIDE BY TWO PRESET = 20 REM = 1



ALL THESE FREQUENCIES APPLY WHEN HFCLK IS 576KHZ

&proj: ham01-02.sch

|                     |                                |
|---------------------|--------------------------------|
| DESIGN:HAM01        | NAME: PSEUDO-HAMMOND GENERATOR |
| FILE: HAM01-01.SCH  | TITLE: GENERAL DIVIDERS        |
| CREATED: 09/12/99   | MOD: 10/01/2004                |
| SHEET: 1 OF 2       | REV: 1.0 SIZE: A3              |
| ICARUS 07748 766447 |                                |