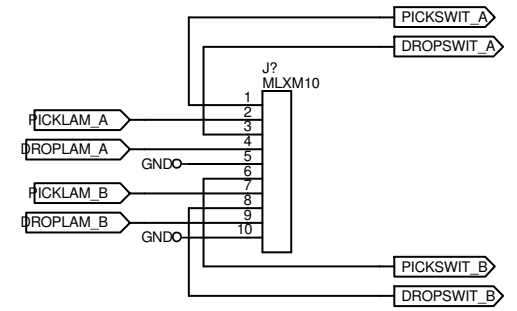
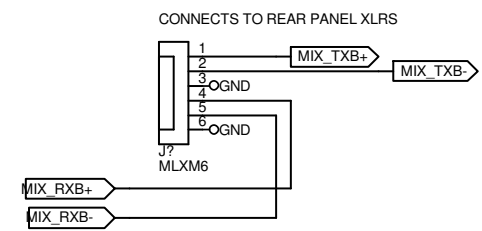
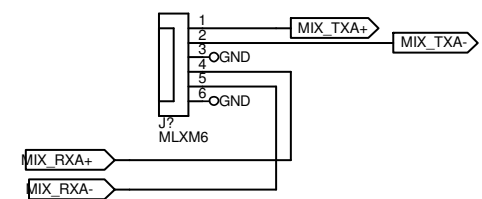
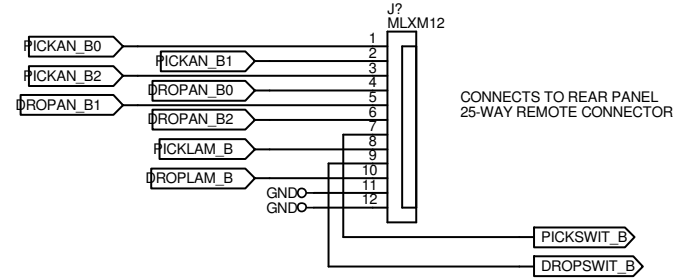
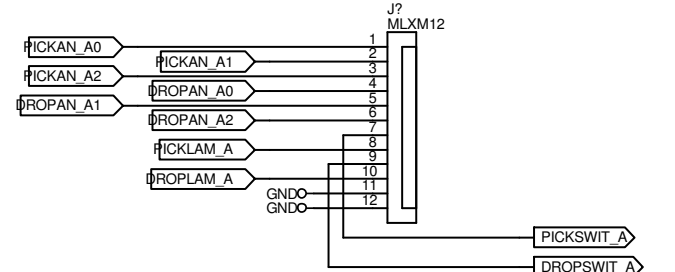
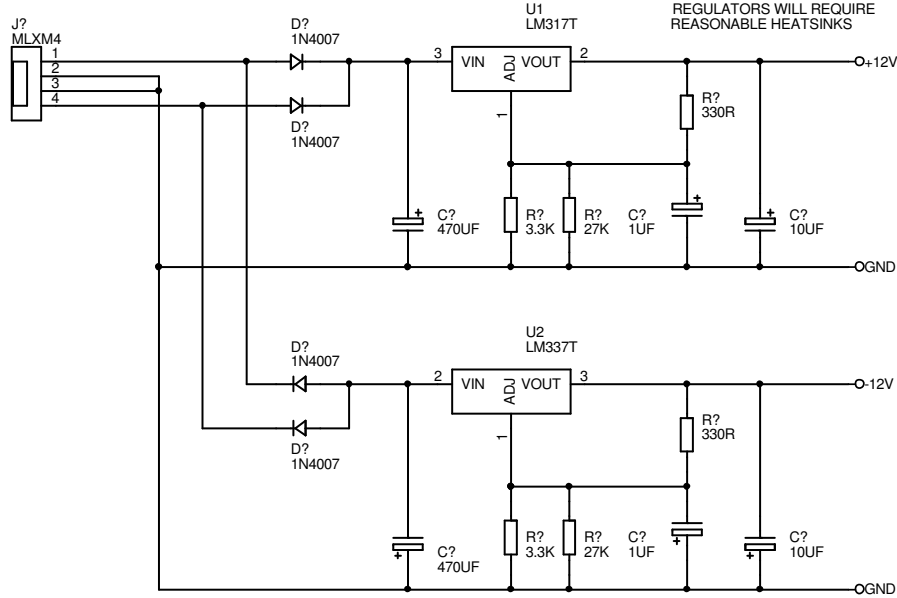
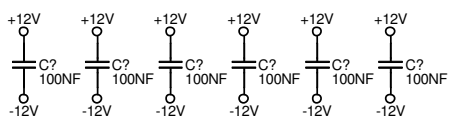


TO 0-12 0-12 30VA TRANSFORMER



DECOUPLING CAPS.
ONE ACROSS EACH OP-AMP PACKAGE



&proj: tbu01-02.sch, tbu01-03.sch, tbu01-04.sch

DESIGN: tbu01	NAME: RADIO GLEN TBU
FILE: tbu01-01.sch	TITLE: POWER SUPPLIES/CONNECTORS
CREATED: 10/05/2000	MOD: 22/01/2004
SHEET: 1 OF 4	REV: 1.0 SIZE: A3
ICARUS 07748 766447	